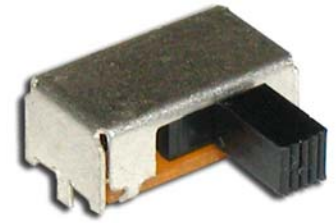


**SPECIFICATIONS**

|                       |                       |
|-----------------------|-----------------------|
| Switch Function       | DPDT                  |
| Electrical Ratings    | 200mA @ 30VDC         |
| Electrical Life       | 10,000 cycles typical |
| Contact Resistance    | < 50 mΩ initial       |
| Actuation Force       | 200 +/- 100gF         |
| Actuator Travel       | 4.0 mm total          |
| Dielectric Strength   | 1000Vrms min          |
| Insulation Resistance | > 100MΩ min           |
| Operating Temperature | -40°C to 85°C         |
| Storage Temperature   | -40°C to 85°C         |



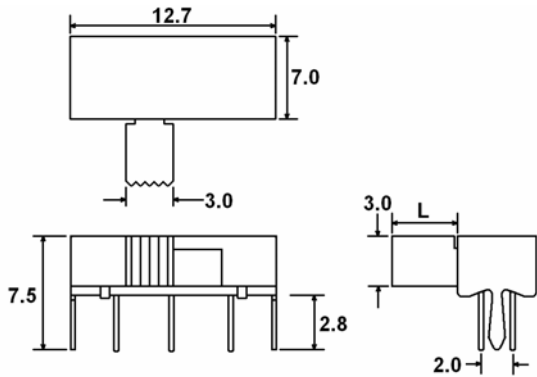
**MATERIALS ←RoHS COMPLIANT**

|           |                                |
|-----------|--------------------------------|
| Actuator  | Acetal                         |
| Housing   | Steel                          |
| Base      | Phenolic                       |
| Contacts  | Phosphor Bronze, Silver Plated |
| Terminals | Brass, Silver Plated           |

**ORDERING INFORMATION**

|                            |               |           |
|----------------------------|---------------|-----------|
| <b>1. Series:</b>          | <b>MS2215</b> | <b>L6</b> |
| MS2215                     |               |           |
| <b>2. Actuator Length:</b> |               |           |
| L3 = 3mm                   |               |           |
| L6 = 6mm                   |               |           |

**DIMENSIONS**



**SCHEMATIC & PC LAYOUT**

